

Load rings

for welding

SPECIFICATION

Types

- Type **A**: without retaining spring
- Type **F**: with retaining spring

Ring brackets

Steel, German Material No. 1.6541

- forged
- high-tensile tempered
- 100 % electro magnetic tensile tested to EN 1677
- plastic coated, pink

Weld-on block

Steel, S355 J2 + N (ST52-3N)

- forged, blank
- high-tensile tempered
- 100 % electro magnetic tensile tested to EN 1677

Retaining spring

Stainless Steel tape
rustproof

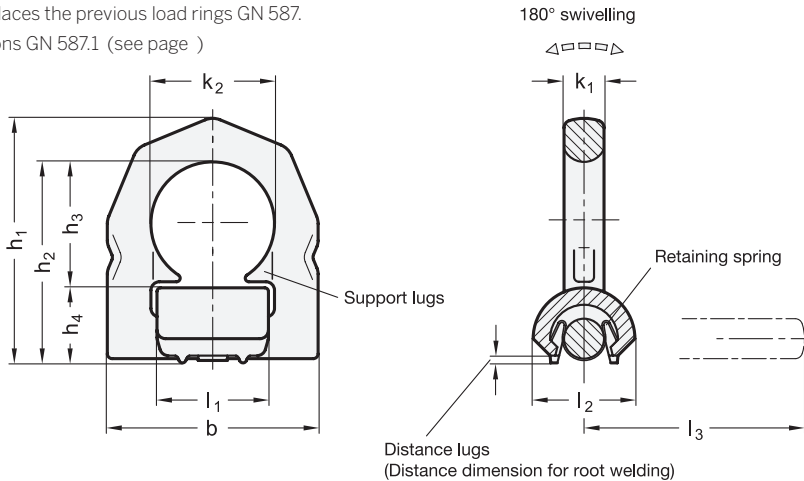


INFORMATION

Load rings GN 587.1 for welding are designed for rapid mounting. They provide high dynamic and static strength and can be load from any direction with approved safety (safety factor 4) for all loading directions. The spring steel tape (Type F) holds the ring in any position and dampens any noise caused by vibrations. All parts are undetachably connected.

The two support lugs improve the bearing of hooks and enhance the support effect in the event of oblique suspension rings. Load rings GN 587.1 comply with Mechanical Engineering Directive 2006 / 42 / EG. This standard replaces the previous load rings GN 587.

- Operating instructions GN 587.1 (see page)



GN 587.1

Description	b	h1	h2	h3	h4	k1	k2	l1	l2	l3	Nominal load in t (WLL)	⚖️
GN 587.1-66-A	66	79	65	40	25	14	38	33	33	71	1.5	320
GN 587.1-77-A	77	91	75	47	28	16	45	40	38	80	2.5	530
GN 587.1-87-A	87	101	83	52	31	16	51	46	42	91	4	757
GN 587.1-115-A	115	141	117	73	44	22	67	60	61	126.5	6.7	2010
GN 587.1-129-A	129	153	126	71	55	26	67	60	75	135.5	10	2800
GN 587.1-66-F	66	79	65	40	25	14	38	33	33	71	1.5	350
GN 587.1-77-F	77	91	75	48	28	16	45	40	38	80	2.5	530
GN 587.1-87-F	87	101	83	52	31	16	51	46	42	91	4	780
GN 587.1-115-F	115	141	117	73	44	22	67	60	61	126.5	6.7	2040
GN 587.1-129-F	129	153	126	71	55	26	67	60	75	135.5	10	2800

TECHNICAL INFORMATION

Method of mounting										
Number	1	1	2	2	2	2	3 and 4	3 and 4	3 and 4	
Angles of inclination	0°	90°	0°	90°	0° to 45°	45° to 60°	asymm.	0° to 45°	45° to 60°	asymm.
Factor	1	1	2	2	1.4	1	1	2.1	1.5	1
b = 66	1.50 t	1.50 t	3.00 t	3.00 t	2.10 t	1.50 t	1.50 t	3.15 t	2.25 t	1.50 t
b = 77	2.50 t	2.50 t	5.00 t	5.00 t	3.50 t	2.50 t	2.50 t	5.25 t	3.75 t	2.50 t
b = 87	4.00 t	4.00 t	8.00 t	8.00 t	5.60 t	4.00 t	4.00 t	8.40 t	6.00 t	4.00 t
b = 115	6.70 t	6.70 t	13.40 t	13.40 t	9.50 t	6.70 t	6.70 t	14.00 t	10.00 t	6.70 t
b = 129	10.00 t	10.00 t	20.00 t	20.00 t	14.00 t	10.00 t	10.00 t	21.00 t	15.00 t	10.00 t

SAFETY INSTRUCTIONS

The above details refer to the maximum load in metric tonnes. The configuration of the welding seam (HV) complies with the requirements of DIN 18800, i. e., the closed seam means that no corrosive deposits can settle; this also makes the load rings suitable for outside use.

Loading ring size	Size Welding seam	Length	Volume in cm ³
b = 66 (1.5 t)	HV 5 + a 3	2 x 33	1.2
b = 77 (2.5 t)	HV 7 + a 3	2 x 40	2.6
b = 87 (4.0 t)	HV 8 + a 3	2 x 46	3.2
b = 115 (6.7 t)	HV 12 + a 4	2 x 60	8.7
b = 129 (10.0 t)	HV 16 + a 4	2 x 60	15.5

Welding must be made by an approved welder in accordance with EN 287-1. The specified loading values are valid for an operating temperature of between -20 °C and +100 °C. Load capacities under higher temperatures provided on request.

If the load rings are used for lashing instead of lifting, the nominal load is doubled. Operating instructions with more details and specifications are included with every delivery.

